

# HD55N4



## DIGGING DEPTH

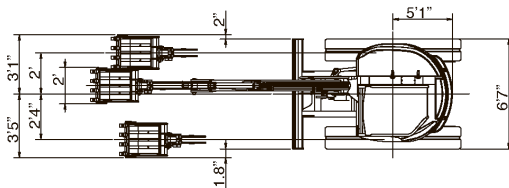
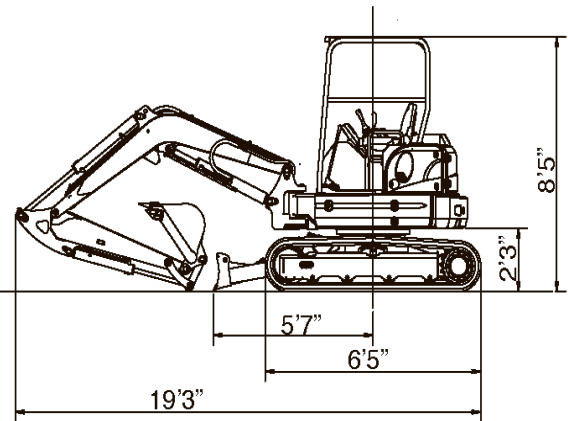
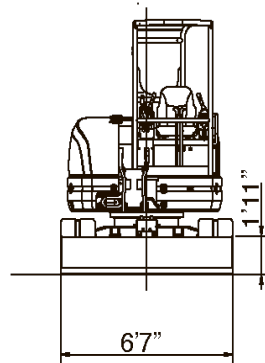
12'8"

## OUTPUT RATING

54.7HP

## OPERATING WEIGHT

12,733 LBS



# KATO

<b>HD55N4</b>		Working Ranges
A.	Maximum Digging Radius	20'
B.	Maximum Digging Depth	12'8"
C.	Maximum Digging Height	18'10"
D.	Maximum Dumping Height	12'10"
E.	Maximum Vertical Digging Depth	9'8"
F.	Minimum Front Turning Radius	7'3"
G.	At Right Boom Swing	5'10"

<b>MODEL</b>	HD308 US-7
<b>TRAVEL SYSTEM</b>	
Travel Speed (Low/High)	3 mph / 2 mph
Gradeability	70% (35°)
Maximum Drawbar Pull	18,075 lbs force
<b>ENGINE</b>	
Model	YANMAR YDN-4TNV98C
Number Of Cylinders	4
Rated Output	57 hp
<b>SWING SYSTEM</b>	
Maximum Swing Speed	13.0min <sup>-1</sup>
<b>HYDRAULIC SYSTEM</b>	
Maximum Discharge Flow	2 x 22.35 gal/min
Maximum Discharge Pressure	4264 lbs force per square in
<b>DIGGING FORCE</b>	
Arm Digging Force	9,487 lbs
Bucket Digging Force	13,803 lbs
<b>SERVICE DATA</b>	
Fuel Tank	34.34 gal
Cooling System	3.96 gal
Engine Oil	3.1 gal
Track Drives	2 x .34 gal
Hydraulic Oil Tank Level	13.47 gal
Hydraulic Oil Tank System	25.89 gal
Operating Weight	16,469 lbs
Ground Pressure	4.79 lbs per square in

**HD!**  
**HD55N4**

**4**

**KATO**  
**EXCAVATORS AND TRACK LOADERS**

[www.KATOCES.com](http://www.KATOCES.com)

400 Production Court

Elizabethtown, KY 42701

(800) 538-1447 | Fax: (270) 737-0419